

Housekeeping / Room attendant trolleys

Atlas 650

Efficient housekeeping



Standard equipment

- Anodised aluminium frame
- 1 open compartment for amenities
- 3 levels for ranging clean linen
- 1 horizontal steering handle
- Grey wrap-around non-marking bumper
- 2 fixed and 2 swivelling wheels Ø160mm with non-marking polyamide layer

Technical info

- Net weight (without options): 30 kg
- Allowed weight per shelf: 35 kg

ATLAS 650

Options



Waste bag holder mono and foldable base



Waste bag holder duplo (selective waste sorting) and foldable base



Waste bag curtain



Linen bag holder and foldable base



Foldable base



Linear dividers for amenities compartment / drawer



Amenities drawer



Stationery drawer including linear dividers



Doors with or without lock (opening up to 270°)



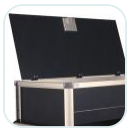
Coupling with satellite Callisto or Hermia



Stackable water tight box for tableware



15 or 30l lateral container (bacbis)



Lid for amenities compartment with or without lock



Lateral boxes for various uses



Mop holder and hook



Additional horizontal steering handle



Extra protection via additional swivelling corner pads

ATLAS 650

Finishes

Compact finishes



Light grey

Ref xx = 09



Wenge oak look

Ref xx = 11



Black caviar look

Ref xx = 14



Almond look

Ref xx = 17

Textile finishes



Black



Grey



Brown

ATLAS 650

Configuration examples



Basic model



Stationery drawer



Amenities drawer



Amenities and stationery drawer



Amenities compartment lid



Amenities compartment lid and stationery drawer



Doors



Stationery drawer and doors



Amenities drawer and doors



Amenities drawer, stationery drawer and doors

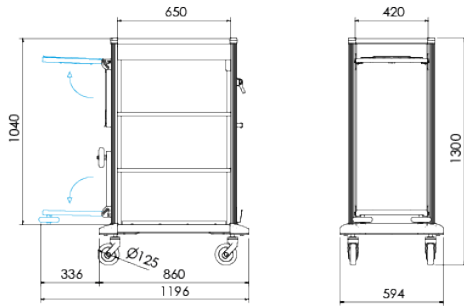


Amenities compartment lid and doors



Amenities compartment lid, stationery drawer and doors

Dimensions



ATLAS 650

Overall dimensions			
Width	Depth	Height	Wheels Ø
860 mm	595 mm	1300 mm	160 mm

Inside dimensions	
Width	Depth
650 mm	420 mm